



**ARISTA**IPC

# ARP-3800AP Series

Datasheet Collection

[www.aristaipc.com](http://www.aristaipc.com)

# Contents

## Industrial Panel PCs

---

### Panel Mount Panel PCs

ARP-3811AP-E01 Series .....	03
ARP-3815AP Series .....	05
ARP-3816AP Series .....	08
ARP-3818AP Series .....	11
ARP-3819AP Series .....	14
ARP-3821AP Series .....	17
ARP-3824AP Series .....	20



## ARP-3811AP-E01 Series

Panel Mount Panel PC with 10.1" PCAP Touch Screen



### Features

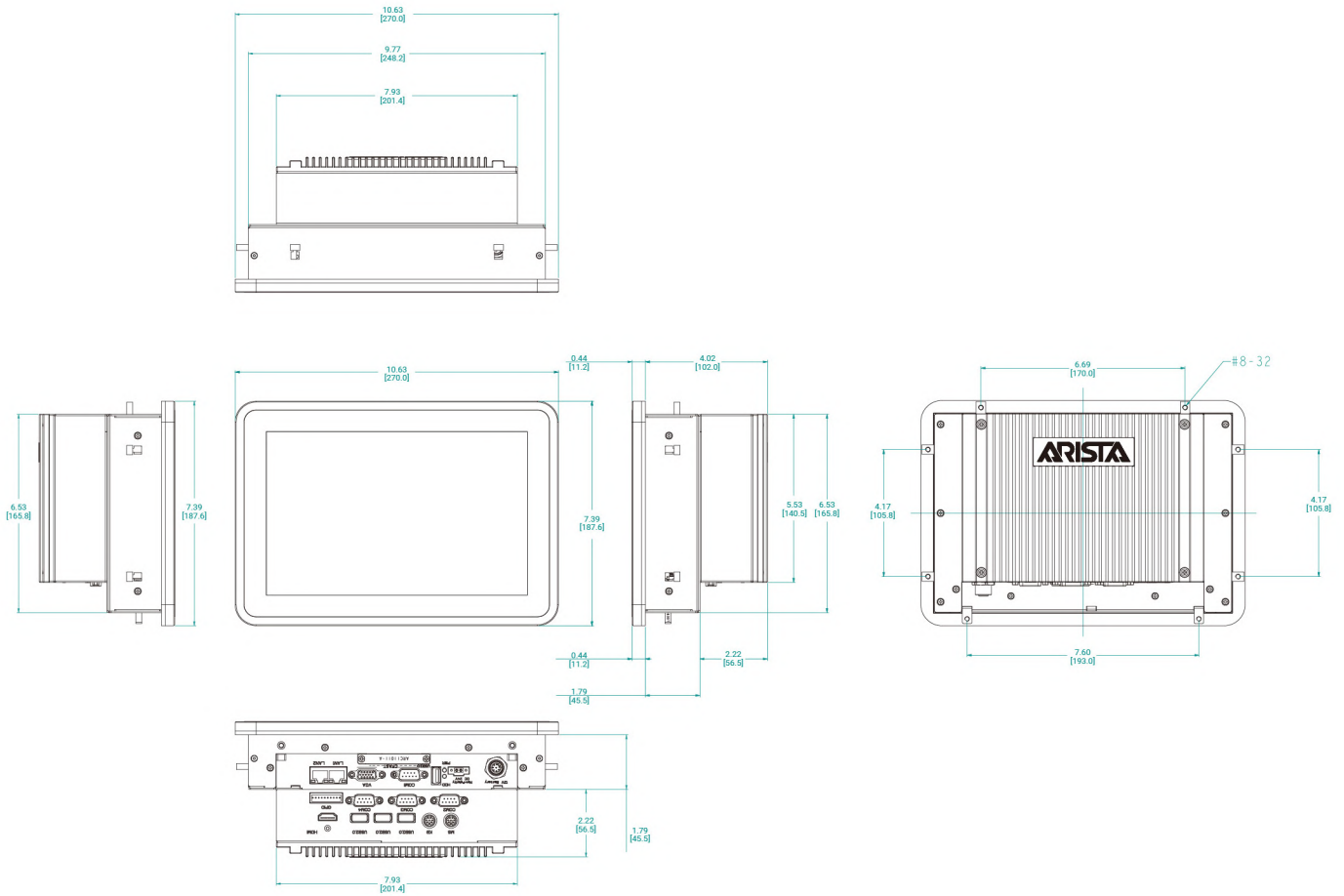
- 10.1" LCD, 1280 x 800 Resolution
- Projected Capacitive Touch Screen
- Aluminum or Stainless-Steel Flush Bezel
- Intel E3845 ATOM CPU
- Up to 8GB DDR3 SO-DIMM
- Optional 2.5" SSD
- Dual Gigabit Ethernet
- 4 x RS-232/422/485 BIOS Selectable
- 1 x 8-bit GPIO (4-bit Input, 4-bit Output)
- 1 x USB 3.0, 3 x USB 2.0 ports

### Specifications

Model Name	ARP-3811AP-E01
<b>LCD Display</b>	
Display Size (Diagonal)	10.1 inch
Resolution	1280 x 800
Backlight Lifetime (Hours)	50,000 hours
<b>Visual Characteristics</b>	
Colors	16.2 million
Aspect Ratio	16:10
Viewing Angle (V/H)	170° / 170°
Contrast Ratio	1300:1
Brightness	500 nits (Typical)
<b>Touchscreen</b>	
Technology	Projected Capacitive
Interface	USB
Driver	Windows 7, 8 & 10
<b>Front Bezel</b>	
NEMA 4	Aluminum
NEMA 4x	Stainless Steel (Optional)
<b>System</b>	
CPU	Intel E3845 1.91GHz ATOM CPU
Chipset	Bay Trail
Memory	Up to 8GB DDR3 SO-DIMM
Video Controller	Intel Gen7 Intel Graphics DX 11, OGL3.2
External Video Output	VGA, HDMI
Storage Option	2.5" SSD
Compact Flash	Optional
Keyboard / Mouse	USB / PS2
Audio	N/A
Watchdog Timer	Programmable 1 - 255 sec
Remote Boot	ThinManager Ready, PXE
Expansion Slot	Mini PCIe x 2
<b>I/O Communication</b>	
USB Port	1 x USB 3.0, 3 x USB 2.0
Serial Port	4 x RS-232/422/485 BIOS Selectable
IEEE 1394	N/A
LAN	2 x Gigabit
Parallel	N/A
GPIO	4 x DI, 4 x DO
<b>Smart Battery</b>	
External Smart Battery	Optional
<b>OS Support</b>	
OS Support	Windows 7, 8 & 10
<b>Power/Thermal Specs</b>	
Power Requirement (Max)	24VDC / 0.75A
Power Consumption (Max)	18 W
Recommended Power Supply	26 W
Heat Dissipation	62 BTU/hr
<b>Physical Information</b>	
Mounting	Panel mount
Net Weight	12 Lbs / 5.44 Kg
Dimension (W x H x D)	--
Recommended Cutout Dimension (WxH)	--
<b>Environmental</b>	
Operating Temperature	0~50°C (32~122°F)
Storage Temperature	-20~60°C (-4~140°F)
Relative Humidity	0~95%
IP/NEMA Rating	Bezel meets NEMA 4/4X requirement
Certification	N/A

## Dimension Drawing

Model Name: ARP-3811AP-E01  
 Size Unit: inch(mm)



## Ordering Information

Item	ARP-3811AP-E01-003	ARP-3811AP-E01-007
LCD Display	10.4" LCD / 800 x 600	10.4" LCD / 800 x 600
Touch Screen	Projected Capacitive	Projected Capacitive
Bezel	Aluminum	Stainless Steel
CPU	E3845 ATOM CPU	E3845 ATOM CPU
Memory	4GB DDR3	4GB DDR3
Storage	N/A	N/A
Remote Boot	ThinManager Ready	ThinManager Ready
Power Supply	110/220VAC Input DIN-Rail	110/220VAC Input DIN-Rail

Item	ARP-3810AP-E00-031	ARP-3810AP-E00-035
LCD Display	10.4" LCD / 800 x 600	10.4" LCD / 800 x 600
Touch Screen	Projected Capacitive	Projected Capacitive
Bezel	Aluminum	Stainless Steel
CPU	E3845 ATOM CPU	E3845 ATOM CPU
Memory	8GB DDR3	8GB DDR3
Storage	2.5" SATA SSD	2.5" SATA SSD
Remote Boot	N/A	N/A
Power Supply	110/220VAC Input DIN-Rail	110/220VAC Input DIN-Rail





## ARP-3815AP Series

Panel Mount Panel PC with 15" PCAP Touch Screen

### Features

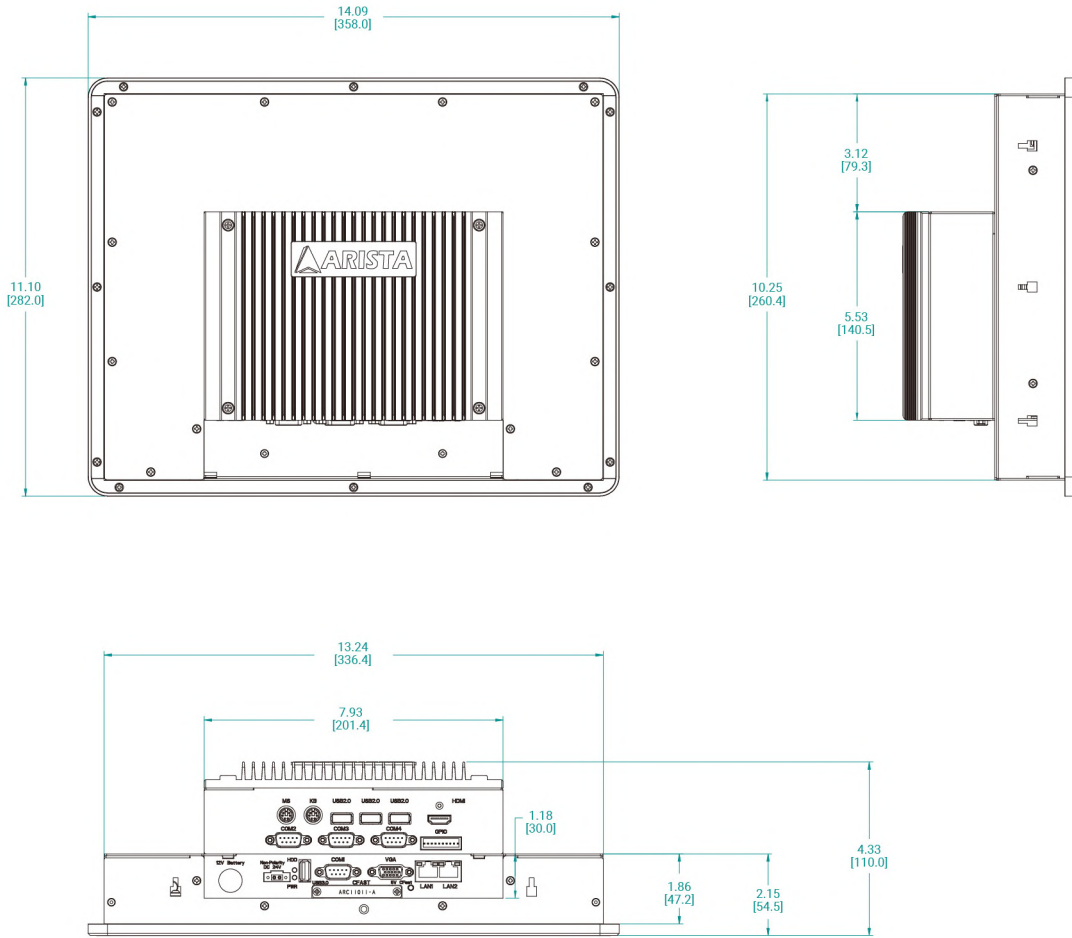
- 15" LCD, 1024 x 768 Resolution
- Projected Capacitive Touch Screen
- Aluminum or Stainless-Steel Flush Bezel
- Intel E3845 ATOM CPU/ Intel i7-6600U CPU
- Up to 8GB DDR3/ Up to 16GB DDR4 SO-DIMM
- Optional 2.5" SSD
- Dual Gigabit Ethernet
- 4 x RS-232/422/485 BIOS Selectable
- 1 x 8-bit GPIO (4-bit Input, 4-bit Output)
- 1 x USB 3.0, 3 x USB 2.0 ports

### Specifications

Model Name	ARP-3815AP-E01	ARP-3815AP-H01
<b>LCD Display</b>		
Display Size (Diagonal)	15.0 inch	15.0 inch
Resolution	1024 x 768	1024 x 768
Backlight Lifetime (Hours)	50,000 hours	50,000 hours
<b>Visual Characteristics</b>		
Colors	16.7 million	16.7 million
Aspect Ratio	4:3	4:3
Viewing Angle (V/H)	140° / 170°	140° / 160°
Contrast Ratio	700 : 1	700 : 1
Brightness	300 nits (Typical)	300 nits (Typical)
<b>Touchscreen</b>		
Technology	Projected Capacitive	Projected Capacitive
Interface	USB	USB
Driver	Windows 7, 8 & 10	Windows 10
<b>Front Bezel</b>		
NEMA 4	Aluminum	Aluminum
NEMA 4x	Stainless Steel (Optional)	Stainless Steel (Optional)
<b>System</b>		
CPU	Intel E3845 1.91GHz ATOM CPU	Intel i7-6600U, i5-6300U, Celeron-3855U
Chipset	Bay Trail	Skylake
Memory	Up to 8GB DDR3 SO-DIMM	Up to 16GB DDR4 SO-DIMM
Video Controller	Intel Gen7 Intel Graphics DX 11, OGL3.2	Intel HD Graphics 520
External Video Output	VGA, HDMI	VGA, HDMI
Storage Option	2.5" SSD	2.5" SSD
CFast Card	Optional	Optional
Keyboard / Mouse	USB / PS2	USB / PS2
Audio	N/A	N/A
Watchdog Timer	Programmable 1 - 255 sec	Yes
Remote Boot	ThinManager Ready, PXE	PXE
Expansion Slot	Mini PCIe x 2	Mini PCIe x 1
<b>I/O Communication</b>		
USB Port	1 x USB 3.0, 3 x USB 2.0	1 x USB 3.0, 3 x USB 2.0
Serial Port	4 x RS-232/422/485 BIOS Selectable	4 x RS-232/422/485 BIOS Selectable
IEEE 1394	N/A	N/A
LAN	2 x Gigabit	2 x Gigabit
Parallel	N/A	N/A
GPIO	4 x DI, 4 x DO	4 x DI, 4 x DO
<b>Smart Battery</b>		
External Smart Battery	Optional	Optional
<b>OS Support</b>		
OS Support	Windows 7, 8 & 10	Windows 10
<b>Power/Thermal Specs</b>		
Power Requirement (Max)	24VDC / 1.3A	24VDC / 1.7A
Power Consumption (Max)	32 W	40W
Recommended Power Supply	45 W	60W
Heat Dissipation	108 BTU/hr	136 BTU/hr
<b>Physical Information</b>		
Mounting	Panel Mount	Panel Mount
Net Weight	12 Lbs / 5.44 Kg	12 Lbs / 5.44 Kg
Dimension (W x H x D)	14.09 x 11.10 x 4.33 inch 358.0 x 282.0 x 110.0 mm	14.09 x 11.10 x 4.33 inch 358.0 x 282.0 x 110.0 mm
Recommended Cutout Dimension (WxH)	13.44 x 10.45 inch 341.4 x 265.4 mm	13.44 x 10.45 inch 341.4 x 265.4 mm
<b>Environmental</b>		
Operating Temperature	0~50°C (32~122°F)	0~50°C (32~122°F)
Storage Temperature	-20~60°C (-4~140°F)	-20~60°C (-4~140°F)
Relative Humidity	0~95%	0~95%
IP/NEMA Rating	Bezel meets NEMA 4/4X requirement	Bezel meets NEMA 4/4X requirement
Certification	UL 61010	UL 61010

# Dimension Drawing

Model Name: ARP-3815AP  
 Size Unit: inch(mm)



## Ordering Information

Item	ARP-3815AP-E01-003	ARP-3815AP-E01-P07
LCD Display	15.0" LCD / 1024 x 768	15.0" LCD / 1024 x 768
Touch Screen	Projected Capacitive	Projected Capacitive
Bezel	Aluminum	Stainless Steel
CPU	E3845 ATOM CPU	E3845 ATOM CPU
Memory	4GB DDR3	4GB DDR3
Storage	N/A	N/A
Remote Boot	ThinManager Ready	ThinManager Ready
Power Supply	110/220VAC Input DIN-Rail	110/220VAC Input DIN-Rail

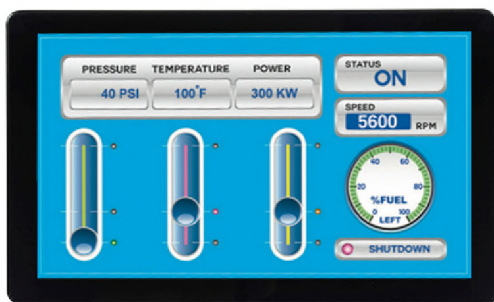
Item	ARP-3815AP-E01-031	ARP-3815AP-E01-035
LCD Display	15.0" LCD / 1024 x 768	15.0" LCD / 1024 x 768
Touch Screen	Projected Capacitive	Projected Capacitive
Bezel	Aluminum	Stainless Steel
CPU	E3845 ATOM CPU	E3845 ATOM CPU
Memory	8GB DDR3	8GB DDR3
Storage	2.5" SATA SSD	2.5" SATA SSD
Remote Boot	N/A	N/A
Power Supply	110/220VAC Input DIN-Rail	110/220VAC Input DIN-Rail

Item	ARP-3815AP-H01-031-700	ARP-3815AP-H01-035-700
LCD Display	15.0" LCD / 1024 x 768	15.0" LCD / 1024 x 768
Touch Screen	Projected Capacitive	Projected Capacitive
Bezel	Aluminum	Stainless Steel
CPU	i7-6600U	i7-6600U
Memory	16GB DDR4	16GB DDR4
Storage	2.5" SATA SSD	2.5" SATA SSD
Remote Boot	N/A	N/A
Power Supply	110/220VAC Input DIN-Rail	110/220VAC Input DIN-Rail



## ARP-3816AP Series

Panel Mount Panel PC with 15.6" PCAP Touch Screen



### Features

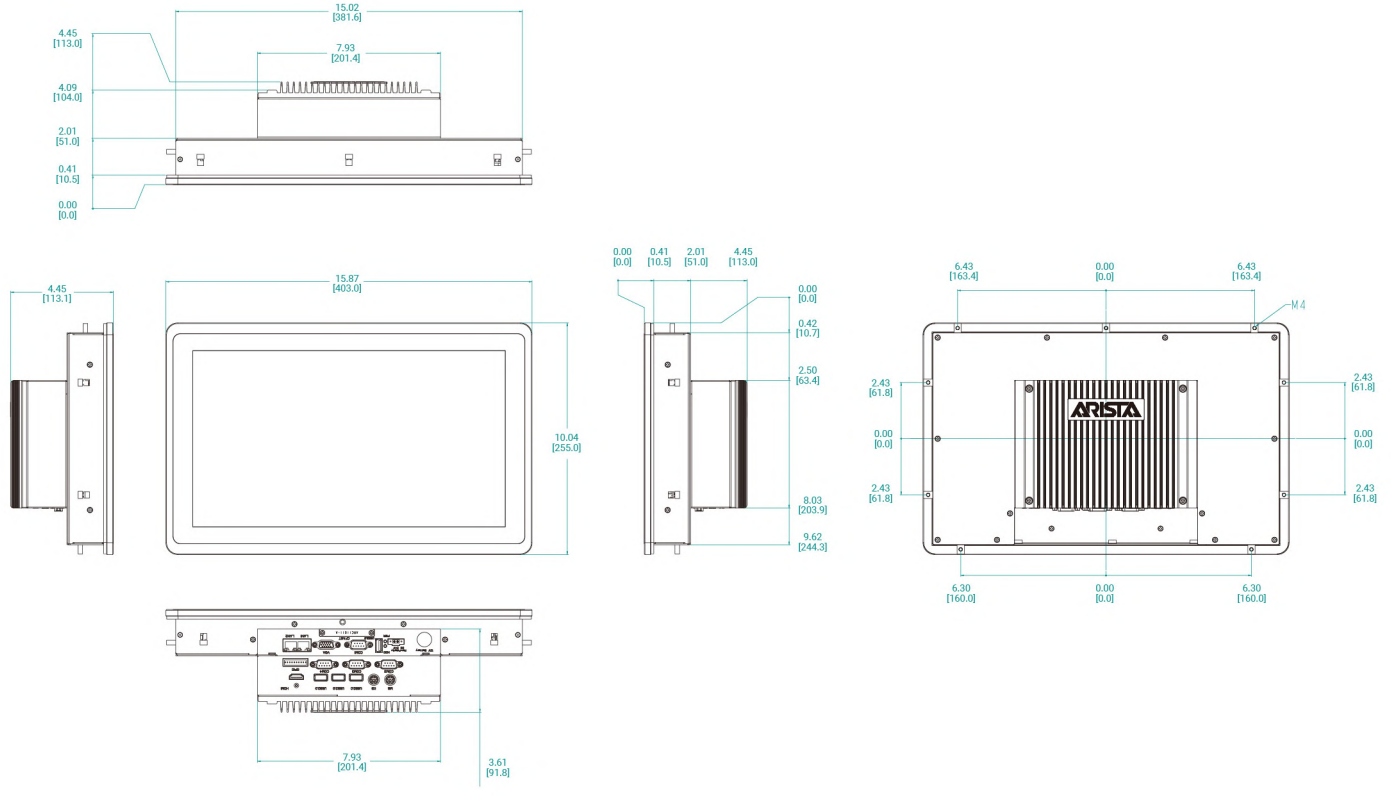
- 15.6" LCD, 1920 x 1080 Resolution
- Projected Capacitive Touch Screen
- Aluminum or Stainless-Steel Flush Bezel
- Intel E3845 ATOM CPU/ Intel i7-6600U CPU
- Up to 8GB DDR3/ Up to 16GB DDR4 SO-DIMM
- Optional 2.5" SSD
- Dual Gigabit Ethernet
- 4 x RS-232/422/485 BIOS Selectable
- 1 x 8-bit GPIO (4-bit Input, 4-bit Output)
- 1 x USB 3.0, 3 x USB 2.0 ports

### Specifications

Model Name	ARP-3816AP-E01	ARP-3816AP-H01
<b>LCD Display</b>		
Display Size (Diagonal)	15.6 inch	15.6 inch
Max Resolution	1920 x 1080	1920 x 1080
Backlight Lifetime (Hours)	50,000 hours	50,000 hours
<b>Visual Characteristics</b>		
Colors	16.7 million	16.7 million
Aspect Ratio	16:9	16:9
Viewing Angle (V/H)	140° / 160°	140° / 160°
Contrast Ratio	700 : 1	700 : 1
Brightness	400 nits (Typical)	400 nits (Typical)
<b>Touchscreen</b>		
Technology	Projected Capacitive	Projected Capacitive
Interface	USB	USB
Driver	Windows 7, 8 & 10	Windows 10
<b>Front Bezel</b>		
NEMA 4	Aluminum	Aluminum
NEMA 4x	Stainless Steel (Optional)	Stainless Steel (Optional)
<b>System</b>		
CPU	Intel E3845 1.91GHz ATOM CPU	Intel i7-6600U, i5-6300U, Celeron-3855U
Chipset	Bay Trail	Skylake
Memory	Up to 8GB DDR3 SO-DIMM	Up to 16GB DDR4 SO-DIMM
Video Controller	Intel Gen7 Intel Graphics DX 11, OGL3.2	Intel HD Graphics 520
External Video Output	VGA	VGA
Storage Option	2.5" SSD	2.5" SSD
CFast Card	Optional	Optional
Keyboard / Mouse	USB / PS2	USB / PS2
Audio	N/A	N/A
Watchdog Timer	Programmable 1 - 255 sec	Programmable 1 - 255 sec
Remote Boot	ThinManager Ready, PXE	PXE
Expansion Slot	Mini PCIe x 2	Mini PCIe x 1
<b>I/O Communication</b>		
USB Port	1 x USB 3.0, 3 x USB 2.0	1 x USB 3.0, 3 x USB 2.0
Serial Port	4 x RS-232/422/485 BIOS Selectable	4 x RS-232/422/485 BIOS Selectable
IEEE 1394	N/A	N/A
LAN	2 x Gigabit	2 x Gigabit
Parallel	N/A	N/A
GPIO	4 x DI, 4 x DO	4 x DI, 4 x DO
<b>Smart Battery</b>		
External Smart Battery	Optional	Optional
<b>OS Support</b>		
OS Support	Windows 7, 8 & 10	Windows 10
<b>Power/Thermal Specs</b>		
Power Requirement (Max)	24VDC / 1.3A	24VDC / 1.7A
Power Consumption (Max)	32 W	40W
Recommended Power Supply	45 W	60W
Heat Dissipation	108 BTU/hr	136 BTU/hr
<b>Physical Information</b>		
Mounting	Panel mount	Panel mount
Net Weight	12 Lbs / 5.44 Kg	12 Lbs / 5.44 Kg
Dimension (W x H x D)	15.9 x 10.0 x 4.4 inch 403 x 255 x 113 mm	15.9 x 10.0 x 4.4 inch 403 x 255 x 113 mm
Recommended Cutout Dimension (WxH)	--	--
<b>Environmental</b>		
Operating Temperature	0~50°C (32~122°F)	0~50°C (32~122°F)
Storage Temperature	-20~60°C (-4~140°F)	-20~60°C (-4~140°F)
Relative Humidity	0~95%	0~95%
IP/NEMA Rating	Front Panel NEMA 4/4X, IP66	Front Panel NEMA 4/4X, IP66
Certification	UL 61010	UL 61010

# Dimension Drawing

Model Name: ARP-3816AP  
Size Unit: inch(mm)





## Ordering Information

Item	ARP-3816AP-E01-003	ARP-3816AP-E01-P07
LCD Display	15.6" LCD / 1920 x 1080	15.6" LCD / 1920 x 1080
Touch Screen	Projected Capacitive	Projected Capacitive
Bezel	Aluminum	Stainless Steel
CPU	E3845 ATOM CPU	E3845 ATOM CPU
Memory	4GB DDR3	4GB DDR3
Storage	N/A	N/A
Remote Boot	ThinManager Ready	ThinManager Ready
Power Supply	110/220VAC Input DIN-Rail	110/220VAC Input DIN-Rail

Item	ARP-3816AP-E01-031	ARP-3816AP-E01-035
LCD Display	15.6" LCD / 1920 x 1080	15.6" LCD / 1920 x 1080
Touch Screen	Projected Capacitive	Projected Capacitive
Bezel	Aluminum	Stainless Steel
CPU	E3845 ATOM CPU	E3845 ATOM CPU
Memory	8GB DDR3	8GB DDR3
Storage	2.5" SATA SSD	2.5" SATA SSD
Remote Boot	N/A	N/A
Power Supply	110/220VAC Input DIN-Rail	110/220VAC Input DIN-Rail

Item	ARP-3816AP-H01-031-700	ARP-3816AP-H01-035-700
LCD Display	15.6" LCD / 1920 x 1080	15.6" LCD / 1920 x 1080
Touch Screen	Projected Capacitive	Projected Capacitive
Bezel	Aluminum	Stainless Steel
CPU	i7-6600U	i7-6600U
Memory	16GB DDR4	16GB DDR4
Storage	2.5" SATA SSD	2.5" SATA SSD
Remote Boot	N/A	N/A
Power Supply	110/220VAC Input DIN-Rail	110/220VAC Input DIN-Rail



## ARP-3818AP Series

Panel Mount Panel PC with 18.5" PCAP Touch Screen

### Features

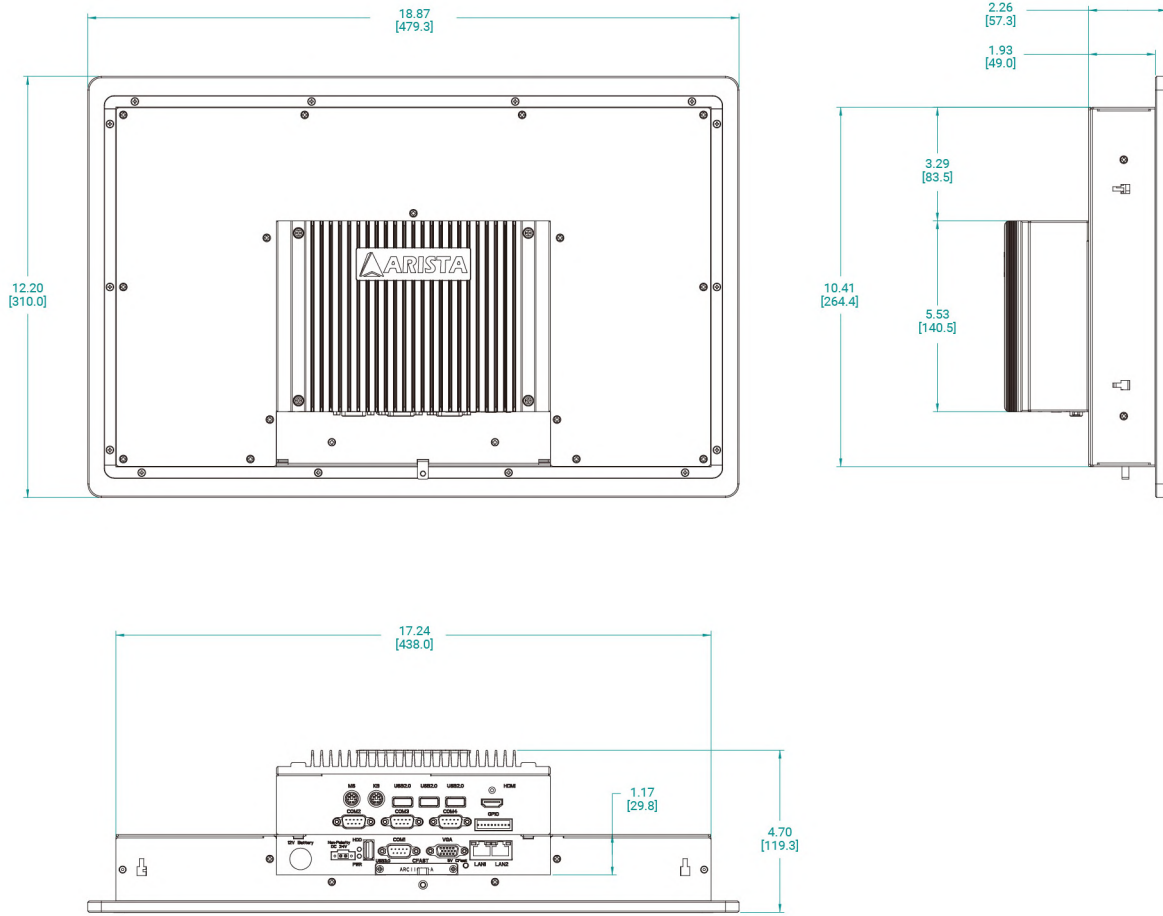
- 18.5" LCD, 1366 x 768 / 1920 x 1080 Resolution
- Projected Capacitive Touch Screen
- Aluminum or Stainless-Steel Flush Bezel
- Intel E3845 ATOM CPU/ Intel i7-6600U CPU
- Up to 8GB DDR3/ Up to 16GB DDR4 SO-DIMM
- Optional 2.5" SSD
- Dual Gigabit Ethernet
- 4 x RS-232/422/485 BIOS Selectable
- 1 x 8-bit GPIO (4-bit Input, 4-bit Output)
- 1 x USB 3.0, 3 x USB 2.0 ports

### Specifications

Model Name	ARP-3818AP-E01	ARP-3818AP-H01
<b>LCD Display</b>		
Display Size (Diagonal)	18.5 inch	18.5 inch
Max Resolution	1920 x 1080	1920 x 1080
Backlight Lifetime (Hours)	50,000 hours	50,000 hours
<b>Visual Characteristics</b>		
Colors	16.7 million	16.7 million
Aspect Ratio	16:09	16:09
Viewing Angle (V/H)	178° / 178°	178° / 178°
Contrast Ratio	1000 : 1	1000 : 1
Brightness	450 nits (Typical)	450 nits (Typical)
<b>Touchscreen</b>		
Technology	Projected Capacitive	Projected Capacitive
Interface	USB	USB
Driver	Windows 7, 8 & 10	Windows 10
<b>Front Bezel</b>		
NEMA 4	Aluminum	Aluminum
NEMA 4x	Stainless Steel (Optional)	Stainless Steel (Optional)
<b>System</b>		
CPU	Intel E3845 1.91GHz ATOM CPU	Intel i7-6600U, i5-6300U, Celeron-3855U
Chipset	Bay Trail	Skylake
Memory	Up to 8GB DDR4 SO-DIMM	Up to 16GB DDR4 SO-DIMM
Video Controller	Intel Gen7 Intel Graphics DX 11, OGL3.2	INTEL HD Graphics 520
External Video Output	VGA, HDMI	VGA, HDMI
Storage Option	2.5" SSD	2.5" SSD
CFast Card	Optional	Optional
Keyboard / Mouse	USB, PS/2	USB, PS/2
Audio	N/A	N/A
Watchdog Timer	Programmable 1 - 255 sec	Programmable 1 - 255 sec
Remote Boot	ThinManager Ready, PXE	PXE
Expansion Slot	Mini PCIe x2	Mini PCIe x1
<b>I/O Communication</b>		
USB Port	1 x USB 3.0, 3 x USB 2.0	1 x USB 3.0, 3 x USB 2.0
Serial Port	4 x RS-232/422/485 BIOS Selectable	4 x RS-232/422/485 BIOS Selectable
IEEE 1394	N/A	N/A
LAN	2 x Gigabit	2 x Gigabit
Parallel	N/A	N/A
GPIO	4 x DI, 4 x DO	4 x DI, 4 x DO
<b>Smart Battery</b>		
External Smart Battery	Optional	Optional
<b>OS Support</b>		
OS Support	Windows 7, 8 & 10	Windows 10
<b>Power/Thermal Specs</b>		
Power Requirement (Max)	24VDC / 1.6A	24VDC / 1.9A
Power Consumption (Max)	38 W	46W
Recommended Power Supply	55W	65W
Heat Dissipation	130 BTU/hr	157 BTU/hr
<b>Physical Information</b>		
Mounting	Panel Mount	Panel Mount
Net Weight	--	--
Dimension (W x H x D)	18.87 x 12.20 x 4.48 inch 479.3 x 310 x 113.8 mm	18.87 x 12.20 x 4.48 inch 479.3 x 310 x 113.8 mm
Recommended Cutout Dimension (WxH)	17.44 x 10.60 inch 443 x 269.4 mm	17.44 x 10.60 inch 443 x 269.4 mm
<b>Environmental</b>		
Operating Temperature	0~50°C (32~122°F)	0~50°C (32~122°F)
Storage Temperature	-20~60°C (-4~140°F)	-20~60°C (-4~140°F)
Relative Humidity	0~95%	0~95%
IP/NEMA Rating	Bezel meets NEAM 4/4X	Bezel meets NEAM 4/4X
Certification	UL 61010	UL 61010

# Dimension Drawing

Model Name: ARP-3818AP  
 Size Unit: inch(mm)



## Ordering Information

Item	ARP-3818AP-E01-003	ARP-3818AP-E01-007
LCD Display	18.5" LCD / 1920 x 1080	18.5" LCD / 1920 x 1080
Touch Screen	Projected Capacitive	Projected Capacitive
Bezel	Aluminum	Stainless Steel
CPU	E3845 ATOM CPU	E3845 ATOM CPU
Memory	4GB DDR3	4GB DDR3
Storage	N/A	N/A
Remote Boot	ThinManager Ready	ThinManager Ready
Power Supply	110/220VAC Input DIN-Rail	110/220VAC Input DIN-Rail

Item	ARP-3818AP-E01-031	ARP-3818AP-E01-035
LCD Display	18.5" LCD / 1920 x 1080	18.5" LCD / 1920 x 1080
Touch Screen	Projected Capacitive	Projected Capacitive
Bezel	Aluminum	Stainless Steel
CPU	E3845 ATOM CPU	E3845 ATOM CPU
Memory	8GB DDR3	8GB DDR3
Storage	2.5" SATA SSD	2.5" SATA SSD
Remote Boot	N/A	N/A
Power Supply	110/220VAC Input DIN-Rail	110/220VAC Input DIN-Rail

Item	ARP-3818AP-H01-031-700	ARP-3818AP-H01-035-700
LCD Display	18.5" LCD / 1920 x 1080	18.5" LCD / 1920 x 1080
Touch Screen	Projected Capacitive	Projected Capacitive
Bezel	Aluminum	Stainless Steel
CPU	i7-6600U	i7-6600U
Memory	16GB DDR4	16GB DDR4
Storage	2.5" SATA SSD	2.5" SATA SSD
Remote Boot	N/A	N/A
Power Supply	110/220VAC Input DIN-Rail	110/220VAC Input DIN-Rail





## ARP-3819AP Series

Panel Mount Panel PC with 19" PCAP Touch Screen

### Features

- 19" LCD, 1280 x 1024 Resolution
- Projected Capacitive Touch Screen
- Aluminum or Stainless-Steel Flush Bezel
- Intel E3845 ATOM CPU/ Intel i7-6600U CPU
- Up to 8GB DDR3/ Up to 16GB DDR4 SO-DIMM
- Optional 2.5" SSD
- Dual Gigabit Ethernet
- 4 x RS-232/422/485 BIOS Selectable
- 1 x 8-bit GPIO (4-bit Input, 4-bit Output)
- 1 x USB 3.0, 3 x USB 2.0 ports

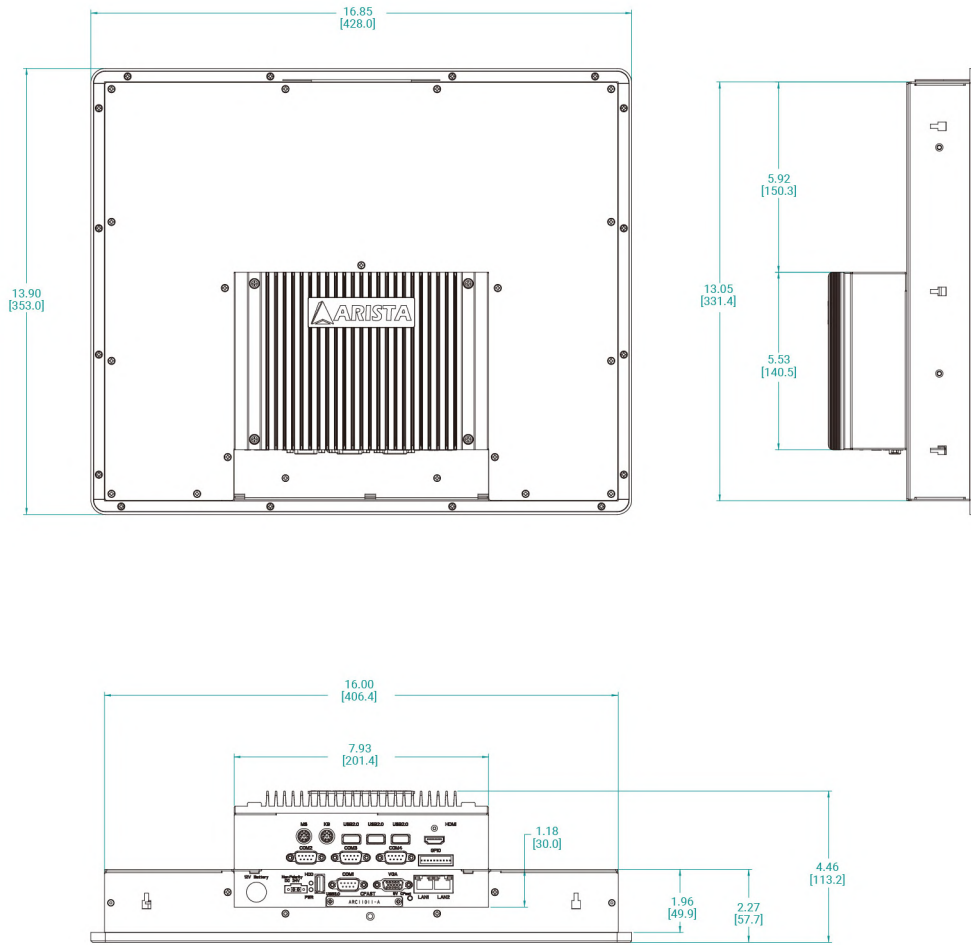
### Specifications

Model Name	ARP-3819AP-E01	ARP-3819AP-H01
<b>LCD Display</b>		
Display Size (Diagonal)	19.0 inch	19.0 inch
Max Resolution	1280 x 1024	1280 x 1024
Backlight Lifetime (Hours)	50,000 hours	50,000 hours
<b>Visual Characteristics</b>		
Colors	16.7 million	16.7 million
Aspect Ratio	5:4	5:4
Viewing Angle (V/H)	160° / 170°	160° / 170°
Contrast Ratio	1000 : 1	1000 : 1
Brightness	450 nits (Typical)	450 nits (Typical)
<b>Touchscreen</b>		
Technology	Projected Capacitive	Projected Capacitive
Interface	USB	USB
Driver	Windows 7, 8 & 10	Windows 10
<b>Front Bezel</b>		
NEMA 4	Aluminum	Aluminum
NEMA 4x	Stainless Steel (Optional)	Stainless Steel (Optional)
<b>System</b>		
CPU	Intel E3845 1.91GHz ATOM CPU	Intel i7-6600U, i5-6300U, Celeron-3855U
Chipset	Bay Trail	Skylake
Memory	Up to 8GB DDR3 SO-DIMM	Up to 16GB DDR4 SO-DIMM
Video Controller	Intel Gen7 Intel Graphics DX 11, OGL3.2	Intel HD Graphics 520
External Video Output	VGA, HDMI	VGA, HDMI
Storage Option	2.5" SSD	2.5" SSD
CFast Card	Optional	Optional
Keyboard / Mouse	USB / PS2	USB / PS2
Audio	N/A	N/A
Watchdog Timer	Programmable 1 - 255 sec	Yes
Remote Boot	ThinManager Ready, PXE	PXE
Expansion Slot	Mini PCIe x 2	Mini PCIe x 1
<b>I/O Communication</b>		
USB Port	1 x USB 3.0, 3 x USB 2.0	1 x USB 3.0, 3 x USB 2.0
Serial Port	4 x RS-232/422/485 BIOS Selectable	4 x RS-232/422/485 BIOS Selectable
IEEE 1394	N/A	N/A
LAN	2 x Gigabit	2 x Gigabit
Parallel	N/A	N/A
GPIO	4 x DI, 4 x DO	4 x DI, 4 x DO
<b>Smart Battery</b>		
External Smart Battery	Optional	Optional
<b>OS Support</b>		
OS Support	Windows 7, 8 & 10	Windows 10
<b>Power/Thermal Specs</b>		
Power Requirement (Max)	24VDC / 1.8A	24VDC / 2.2A
Power Consumption (Max)	43 W	51W
Recommended Power Supply	65 W	75W
Heat Dissipation	147 BTU/hr	174 BTU/hr
<b>Physical Information</b>		
Mounting	Panel Mount	Panel Mount
Net Weight	18 Lbs / 8.16 Kg	18 Lbs / 8.16 Kg
Dimension (W x H x D)	16.58 x 13.90 x 4.46 inch 428.0 x 353.0 x 113.2 mm	16.58 x 13.90 x 4.46 inch 428.0 x 353.0 x 113.2 mm
Recommended Cutout Dimension (WxH)	16.20 x 13.25 inch 411.4 x 336.4 mm	16.20 x 13.25 inch 411.4 x 336.4 mm
<b>Environmental</b>		
Operating Temperature	0~50°C (32~122°F)	0~50°C (32~122°F)
Storage Temperature	-20~60°C (-4~140°F)	-20~60°C (-4~140°F)
Relative Humidity	0~95%	0~95%
IP/NEMA Rating	Bezel meets NEMA 4/4X requirement	Bezel meets NEMA 4/4X requirement
Certification	UL 61010	UL 61010



# Dimension Drawing

Model Name: ARP-3819AP  
 Size Unit: inch(mm)



## Ordering Information

Item	ARP-3819AP-E01-003	ARP-3819AP-E01-007
LCD Display	19.0" LCD / 1280 x 1024	19.0" LCD / 1280 x 1024
Touch Screen	Projected Capacitive	Projected Capacitive
Bezel	Aluminum	Stainless Steel
CPU	E3845 ATOM CPU	E3845 ATOM CPU
Memory	4GB DDR3	4GB DDR3
Storage	N/A	N/A
Remote Boot	ThinManager Ready	ThinManager Ready
Power Supply	110/220VAC Input DIN-Rail	110/220VAC Input DIN-Rail

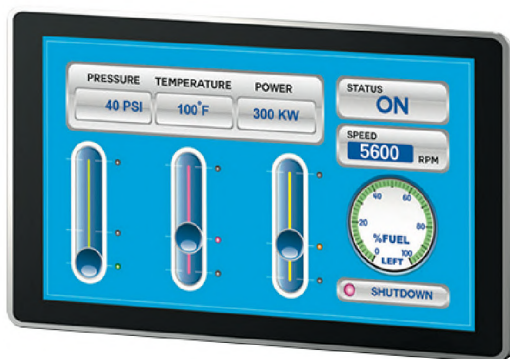
Item	ARP-3819AP-E01-031	ARP-3819AP-E01-035
LCD Display	19.0" LCD / 1280 x 1024	19.0" LCD / 1280 x 1024
Touch Screen	Projected Capacitive	Projected Capacitive
Bezel	Aluminum	Stainless Steel
CPU	E3845 ATOM CPU	E3845 ATOM CPU
Memory	8GB DDR3	8GB DDR3
Storage	2.5" SATA SSD	2.5" SATA SSD
Remote Boot	N/A	N/A
Power Supply	110/220VAC Input DIN-Rail	110/220VAC Input DIN-Rail

Item	ARP-3819AP-H01-031-700	ARP-3819AP-H01-035-700
LCD Display	19.0" LCD / 1280 x 1024	19.0" LCD / 1280 x 1024
Touch Screen	Projected Capacitive	Projected Capacitive
Bezel	Aluminum	Stainless Steel
CPU	i7 6600U	i7 6600U
Memory	16GB DDR4	16GB DDR4
Storage	2.5" SATA SSD	2.5" SATA SSD
Remote Boot	N/A	N/A
Power Supply	110/220VAC Input DIN-Rail	110/220VAC Input DIN-Rail



## ARP-3821AP Series

Panel Mount Panel PC with 21.5" PCAP Touch Screen



### Features

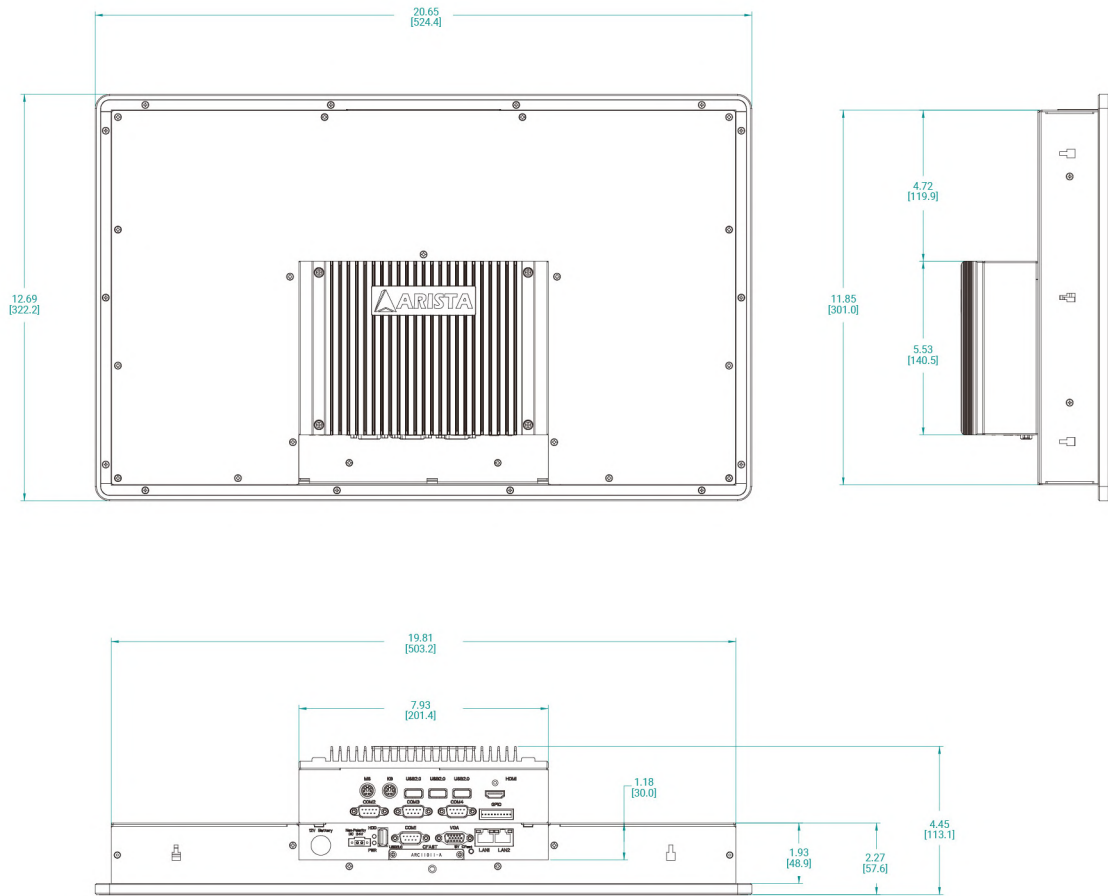
- 21.5" LCD, 1920 x 1080 Resolution
- Projected Capacitive Touch Screen
- Aluminum or Stainless-Steel Flush Bezel
- Intel E3845 ATOM CPU/ Intel i7-6600U CPU
- Up to 8GB DDR3/ Up to 16GB DDR4 SO-DIMM
- Optional 2.5" SSD
- Dual Gigabit Ethernet
- 4 x RS-232/422/485 BIOS Selectable
- 1 x 8-bit GPIO (4-bit Input, 4-bit Output)
- 1 x USB 3.0, 3 x USB 2.0 ports

### Specifications

Model Name	ARP-3821AP-E01	ARP-3821AP-H01
<b>LCD Display</b>		
Display Size (Diagonal)	21.5 inch	21.5 inch
Max Resolution	1920 x 1080	1920 x 1080
Backlight Lifetime (Hours)	50,000 hours	50,000 hours
<b>Visual Characteristics</b>		
Colors	16.7 million	16.7 million
Aspect Ratio	16:9	16:9
Viewing Angle (V/H)	178° / 178°	178° / 178°
Contrast Ratio	1000 : 1	1000 : 1
Brightness	250 nits (Typical)	250 nits (Typical)
<b>Touchscreen</b>		
Technology	Projected Capacitive	Projected Capacitive
Interface	USB	USB
Driver	Windows 7, 8 & 10	Windows 10
<b>Front Bezel</b>		
NEMA 4	Aluminum	Aluminum
NEMA 4x	Stainless Steel (Optional)	Stainless Steel (Optional)
<b>System</b>		
CPU	Intel E3845 1.91GHz ATOM CPU	Intel i7-6600U, i5-6300U, Celeron-3855U
Chipset	Bay Trail	Skylake
Memory	Up to 8GB DDR3 SO-DIMM	Up to 16GB DDR4 SO-DIMM
Video Controller	Intel Gen7 Intel Graphics DX 11, OGL3.2	Intel HD Graphics 520
External Video Output	VGA, HDMI	VGA, HDMI
Storage Option	2.5" SSD	2.5" SSD
CFast Card	Optional	Optional
Keyboard / Mouse	USB / PS2	USB / PS2
Audio	N/A	N/A
Watchdog Timer	Programmable 1 - 255 sec	Yes
Remote Boot	ThinManager Ready, PXE	PXE
Expansion Slot	Mini PCIe x 2	Mini PCIe x 1
<b>I/O Communication</b>		
USB Port	1 x USB 3.0, 3 x USB 2.0	1 x USB 3.0, 3 x USB 2.0
Serial Port	4 x RS-232/422/485 BIOS Selectable	4 x RS-232/422/485 BIOS Selectable
IEEE 1394	N/A	N/A
LAN	2 x Gigabit	2 x Gigabit
Parallel	N/A	N/A
GPIO	4 x DI, 4 x DO	4 x DI, 4 x DO
<b>Smart Battery</b>		
External Smart Battery	Optional	Optional
<b>OS Support</b>		
OS Support	Windows 7, 8 & 10	Windows 10
<b>Power/Thermal Specs</b>		
Power Requirement (Max)	24VDC / 1.8A	24VDC / 2.2A
Power Consumption (Max)	43 W	51W
Recommended Power Supply	62 W	75W
Heat Dissipation	147 BTU/hr	174 BTU/hr
<b>Physical Information</b>		
Mounting	Panel Mount	Panel Mount
Net Weight	20 Lbs / 9.07 Kg	20 Lbs / 9.07 Kg
Dimension (W x H x D)	20.91 x 12.94 x 4.46 inch 531.0 x 328.8 x 113.3 mm	20.91 x 12.94 x 4.46 inch 531.0 x 328.8 x 113.3 mm
Recommended Cutout Dimension (WxH)	20.09 x 12.13 inch 510.2 x 308.0 mm	20.09 x 12.13 inch 510.2 x 308.0 mm
<b>Environmental</b>		
Operating Temperature	0~50°C (32~122°F)	0~50°C (32~122°F)
Storage Temperature	-20~60°C (-4~140°F)	-20~60°C (-4~140°F)
Relative Humidity	0~95%	0~95%
IP/NEMA Rating	Bezel meets NEMA 4/4X requirement	Bezel meets NEMA 4/4X requirement
Certification	UL 61010	UL 61010

# Dimension Drawing

Model Name: ARP-3821AP  
 Size Unit: inch(mm)



## Ordering Information

Item	ARP-3821AP-E01-003	ARP-3821AP-E01-007
LCD Display	21.5" LCD / 1920 x 1080	21.5" LCD / 1920 x 1080
Touch Screen	Projected Capacitive	Projected Capacitive
Bezel	Aluminum	Stainless Steel
CPU	E3845 ATOM CPU	E3845 ATOM CPU
Memory	4GB DDR3	4GB DDR3
Storage	N/A	N/A
Remote Boot	ThinManager Ready	ThinManager Ready
Power Supply	110/220VAC Input DIN-Rail	110/220VAC Input DIN-Rail

Item	ARP-3821AP-E01-031	ARP-3821AP-E01-035
LCD Display	21.5" LCD / 1920 x 1080	21.5" LCD / 1920 x 1080
Touch Screen	Projected Capacitive	Projected Capacitive
Bezel	Aluminum	Stainless Steel
CPU	E3845 ATOM CPU	E3845 ATOM CPU
Memory	8GB DDR3	8GB DDR3
Storage	2.5" SATA SSD	2.5" SATA SSD
Remote Boot	N/A	N/A
Power Supply	110/220VAC Input DIN-Rail	110/220VAC Input DIN-Rail

Item	ARP-3821AP-H01-031-700	ARP-3821AP-H01-035-700
LCD Display	21.5" LCD / 1920 x 1080	21.5" LCD / 1920 x 1080
Touch Screen	Projected Capacitive	Projected Capacitive
Bezel	Aluminum	Stainless Steel
CPU	i7 6600U	i7 6600U
Memory	16GB DDR4	16GB DDR4
Storage	2.5" SATA SSD	2.5" SATA SSD
Remote Boot	N/A	N/A
Power Supply	110/220VAC Input DIN-Rail	110/220VAC Input DIN-Rail





## ARP-3824AP Series

Panel Mount Panel PC with 24" PCAP Touch Screen

### Features

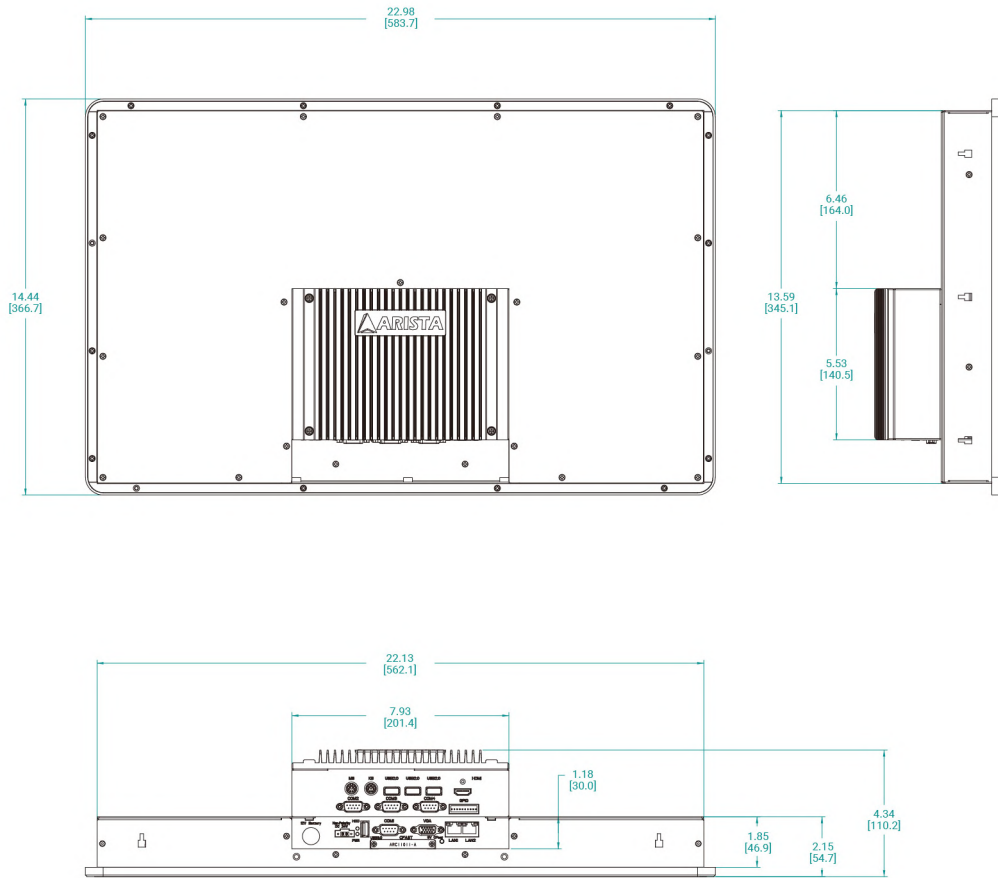
- 24" LCD, 1920 x 1080 Resolution
- Projected Capacitive Touch Screen
- Aluminum or Stainless-Steel Flush Bezel
- Intel E3845 ATOM CPU/ Intel i7-6600U CPU
- Up to 8GB DDR3/ Up to 16GB DDR4 SO-DIMM
- Optional 2.5" SSD
- Dual Gigabit Ethernet
- 4 x RS-232/422/485 BIOS Selectable
- 1 x 8-bit GPIO (4-bit Input, 4-bit Output)
- 1 x USB 3.0, 3 x USB 2.0 ports

### Specifications

Model Name	ARP-3824AP-E01	ARP-3824AP-H01
<b>LCD Display</b>		
Display Size (Diagonal)	24 inch	24 inch
Max Resolution	1920 x 1080	1920 x 1080
Backlight Lifetime (Hours)	50,000 hours	50,000 hours
<b>Visual Characteristics</b>		
Colors	16.7 million	16.7 million
Aspect Ratio	16:9	16:9
Viewing Angle (V/H)	178° / 178°	178° / 178°
Contrast Ratio	5000 : 1	5000 : 1
Brightness	250 nits (Typical)	250 nits (Typical)
<b>Touchscreen</b>		
Technology	Projected Capacitive	Projected Capacitive
Interface	USB	USB
Driver	Windows 7, 8 & 10	Windows 10
<b>Front Bezel</b>		
NEMA 4	Aluminum	Aluminum
NEMA 4x	Stainless Steel (Optional)	Stainless Steel (Optional)
<b>System</b>		
CPU	Intel E3845 1.91GHz ATOM CPU	Intel i7-6600U, i5-6300U, Celeron-3855U
Chipset	Bay Trail	Skylake
Memory	Up to 8GB DDR3 SO-DIMM	Up to 16GB DDR4 SO-DIMM
Video Controller	Intel Gen7 Intel Graphics DX 11, OGL3.2	Intel HD Graphics 520
External Video Output	VGA, HDMI	VGA, HDMI
Storage Option	2.5" SSD	2.5" SSD
CFast Card	Optional	Optional
Keyboard / Mouse	USB / PS2	USB / PS2
Audio	N/A	N/A
Watchdog Timer	Programmable 1 - 255 sec	Yes
Remote Boot	ThinManager Ready, PXE	PXE
Expansion Slot	Mini PCIe x 2	Mini PCIe x 1
<b>I/O Communication</b>		
USB Port	1 x USB 3.0, 3 x USB 2.0	1 x USB 3.0, 3 x USB 2.0
Serial Port	4 x RS-232/422/485 BIOS Selectable	4 x RS-232/422/485 BIOS Selectable
IEEE 1394	N/A	N/A
LAN	2 x Gigabit	2 x Gigabit
Parallel	N/A	N/A
GPIO	4 x DI, 4 x DO	4 x DI, 4 x DO
<b>Smart Battery</b>		
External Smart Battery	Optional	Optional
<b>OS Support</b>		
OS Support	Windows 7, 8 & 10	Windows 10
<b>Power/Thermal Specs</b>		
Power Requirement (Max)	24VDC / 2.5A	24VDC / 2.8A
Power Consumption (Max)	60 W	68W
Recommended Power Supply	85 W	100W
Heat Dissipation	203 BTU/hr	232 BTU/hr
<b>Physical Information</b>		
Mounting	Panel Mount	Panel Mount
Net Weight	23 Lbs / 10.43 Kg	23 Lbs / 10.43 Kg
Dimension (W x H x D)	22.98 x 14.44 x 4.34 inch 583.7 x 366.7 x 110.2 mm	22.98 x 14.44 x 4.34 inch 583.7 x 366.7 x 110.2 mm
Recommended Cutout Dimension (WxH)	22.36 x 13.82 inch 568.1 x 351.1 mm	22.36 x 13.82 inch 568.1 x 351.1 mm
<b>Environmental</b>		
Operating Temperature	0~50°C (32~122°F)	0~50°C (32~122°F)
Storage Temperature	-20~60°C (-4~140°F)	-20~60°C (-4~140°F)
Relative Humidity	0~95%	0~95%
IP/NEMA Rating	Bezel meets NEMA 4/4X requirement	Bezel meets NEMA 4/4X requirement
Certification	UL 61010	UL 61010

# Dimension Drawing

Model Name: ARP-3824AP  
 Size Unit: inch(mm)



## Ordering Information

Item	ARP-3824AP-E01-003	ARP-3824AP-E01-007
LCD Display	24.0" LCD / 1920 x 1080	24.0" LCD / 1920 x 1080
Touch Screen	Projected Capacitive	Projected Capacitive
Bezel	Aluminum	Stainless Steel
CPU	E3845 ATOM CPU	E3845 ATOM CPU
Memory	4GB DDR3	4GB DDR3
Storage	N/A	N/A
Remote Boot	ThinManager Ready	ThinManager Ready
Power Supply	110/220VAC Input DIN-Rail	110/220VAC Input DIN-Rail


Item	ARP-3824AP-E01-031	ARP-3824AP-E01-035
LCD Display	24.0" LCD / 1920 x 1080	24.0" LCD / 1920 x 1080
Touch Screen	Projected Capacitive	Projected Capacitive
Bezel	Aluminum	Stainless Steel
CPU	E3845 ATOM CPU	E3845 ATOM CPU
Memory	8GB DDR3	8GB DDR3
Storage	2.5" SATA SSD	2.5" SATA SSD
Remote Boot	N/A	N/A
Power Supply	110/220VAC Input DIN-Rail	110/220VAC Input DIN-Rail

Item	ARP-3824AP-H01-031-700	ARP-3824AP-H01-035-700
LCD Display	24.0" LCD / 1920 x 1080	24.0" LCD / 1920 x 1080
Touch Screen	Projected Capacitive	Projected Capacitive
Bezel	Aluminum	Stainless Steel
CPU	i7 6600U	i7 6600U
Memory	16GB DDR4	16GB DDR4
Storage	2.5" SATA SSD	2.5" SATA SSD
Remote Boot	N/A	N/A
Power Supply	110/220VAC Input DIN-Rail	110/220VAC Input DIN-Rail



**ARISTA Corporation (USA)**

 40675 Encyclopedia Circle, Fremont, CA 94538.

 Phone : +1-510-226-1800  eFax : 510-405-8437

 sales@goarista.com  www.aristaipc.com